

CLT-371 Camera Link Translator

The CLT-371 Camera Link Translator converts Camera Link to HD-SDI, enabling the use of Camera Link cameras with HD-SDI monitors and other equipment. The CLT-371 works with most color and monochrome base-configuration cameras. HD-SDI output is either 1920x1080 or 1280x720.



Features include automatic frame rate adaptation, Bayer white balance correction, camera synchronization support, and an RS-232 port for camera set-up and control.

The CLT-371 supports PoCL cameras and HDMI / DVI-D output using external adapters.

No special software or programming is required, CLT-371 configuration is via rear-panel switch settings.

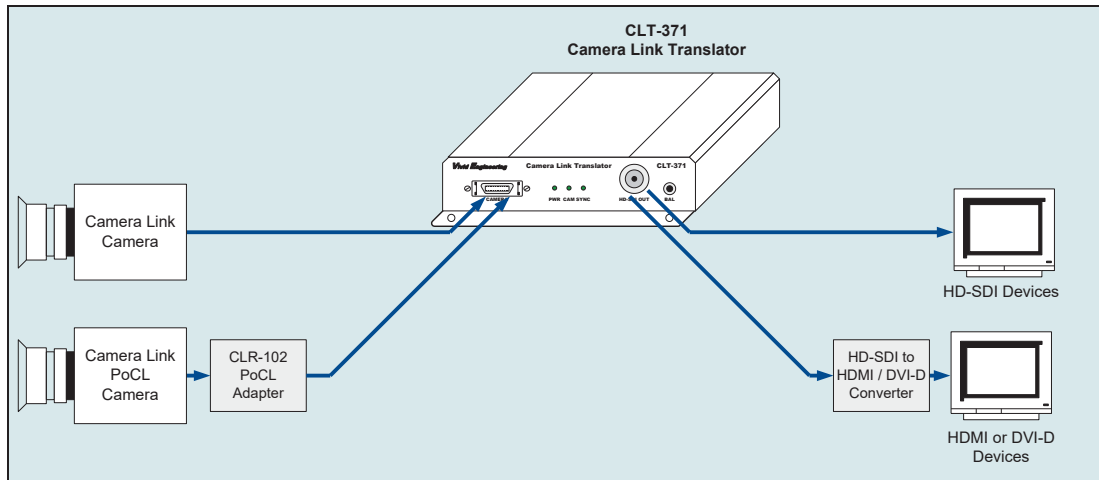
The CLT-371 is housed in a sturdy aluminum enclosure.

Features

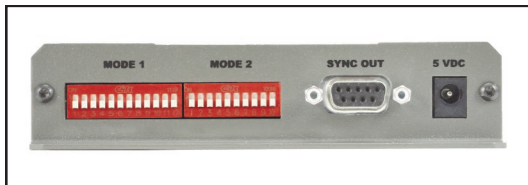
- Enables use of Camera Link cameras with HD-SDI monitors and equipment
 - HDMI & DVI-D output via an external converter
- Works with most Camera Link color and monochrome base-configuration cameras
 - PoCL cameras supported using Vivid CLR-102 adapter
- HD-SDI: 1920x1080 @ 29.97/30p or 1280x720 @ 59.94/60p
- Automatic frame rate adaptation; no camera synchronization required
- Crop and center for images larger/smaller than 1920x1080 or 1280x720
- Bayer white balance correction
- RS-232 port for camera set-up and control
- Configured via rear-panel switches, no special software or programming required
- Camera synchronization support
- Camera presence and synchronization indicators
- Test pattern generator
- Multi-nation power supply included, locking-plug version optional
- Sturdy aluminum enclosure w/ mounting flange
- 3-year warrantee



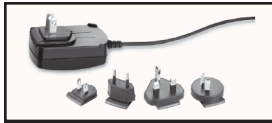
Typical Applications



Rear Panel



Power Supply



Specifications

Feature	Specification
Camera Interface	"Base" configuration., 20-85 MHz, MDR connector
Camera Formats	<ul style="list-style-type: none"> - Monochrome and color area scan - 8/10/12/14/16-bit single tap - 8/10/12-bit dual-tap - 8-bit RGB - 8/10/12-bit Bayer
HD-SDI Interface	SMPTE-292M serial digital, 75 ohm BNC connector
HD-SDI Formats	<ul style="list-style-type: none"> - 1920x1080 progressive, 30 or 29.97 fps - 1280x720 progressive, 60 or 59.94 fps
Comm & Sync Port	<ul style="list-style-type: none"> Shared 9-pin female DB9 - LVTTTL camera communication port (External RS-232 adapter included) - LVDS synchronization output - TTL synchronization output
Configuration	Via rear-panel switch settings
Power Supply	Universal wall style w/ outlet plug set
Power Plug	2.1 x 5.5 mm, center-positive. Locking style optional
Power Requirements	5 VDC, 500 mA (typical)
Cabinet Dimensions	5.28" (L) x 1.18" (H) x 7.12" (D)
Weight	16 ounces
Operating Temp Range	0 to 50° C
Storage Temp Range	-25 to 75° C
Relative Humidity	0 to 90%, non-condensing

Ordering Information

Model	Description
CLT-371	Camera Link Translator (with standard power supply)
CLT-371-L	Camera Link Translator (with locking-plug power supply)
CLT-371-N	Camera Link Translator (without power supply)



Vivid Engineering

415 Boston Tpke., Ste. 305 • Shrewsbury, MA 01545 • USA
 phone 508-842-0165 • fax 508-842-8930
 email info@vividengineering.com
 web www.vividengineering.com

rev 1.0, 11/1/2016